



PAPAMO
COLLEGE

CONNECT

Principal's Message

Kia Ora

ERO Visit

The team from the Education Review Office spent most of the first week of term with us. It was a very constructive time that focused on all aspects of school life, as well as meeting with a wide range of people. Thank you to those of you who contributed to this process. At the end of their time with us they met with the Board and provided verbal feedback. We are happy to report that they identified the strengths to be the quality of the teaching, the relationships between teachers and students, and the school wide curriculum. They also agreed with us, that the challenges for the future will be to effectively meet the needs of a growing school. The final report will be presented to the Board for review and then it will be published. We will let you know when it is available.

Enrolments 2013

We are in the process of communicating to prospective parents and students for 2013 Enrolments. This includes an enrolment information evening, visiting local schools and holding an open afternoon. The Board have decided to accept up to 30 out of zone enrolments for 2013. Out of zone application forms can be obtained from Reception.

Options 2013

Year 9 students will soon receive information regarding Year 10 option choices for next year. The subjects for Year 11 have now been set (based on the preliminary choices from the end of last term) and over the next few weeks we will be providing information to Year 10 students to make their choices. We plan to have an afternoon where students and parents can talk to relevant teachers about option choices.

Teacher Only Days

We have two up coming teacher only days this term. The first one is on Friday 24 August and will be used by teachers to further their professional learning and develop their teaching practice. The second day is on Monday 10 September and has been provided by the Minister of Education as a day to focus on NCEA. For both these days the school will be closed for instruction.

Paid Union Meeting

The PPTA Post Primary Teachers Association has notified the school that they will be holding a paid union meeting. Paid union meetings are a condition of the current secondary teachers collective agreement. The paid union meeting will be held on Wednesday 29 August from 1.30 – 3.10pm. School will operate normally in the morning until lunchtime. Unfortunately regular classes in the afternoon will not be able to be run and therefore students will be free to depart from school. Supervision will be provided for those students that need to remain at school.

Accompanying this edition of Connect is the 2013 Learning Programmes overview.

Regards

Steve Lindsey
Principal



Puke Learning Commons
Engagement session – "Boot Camp"

What's Happening

Maths Week

13 – 17 August is Maths Week. We will be celebrating by encouraging students to participate in various competitions, lunchtime activities and a problem-solving quiz.

2013 Enrolment Information Evening

Wednesday 15 August 2012 in the school Theatre at 6.30pm. This information evening is for prospective enrolments for 2013 to learn more about what Papamoa College can offer their children. There will also be a chance to explore the campus and meet a few teachers.

Teacher Only Days

Friday 24 August 2012 School closed for instruction – Staff Professional Learning Day

Wednesday 29 August 2012 – ½ day for PPTA union meeting from 1.30pm – 3.10pm

Monday 10 September 2012 School closed for instruction – NCEA focus day

Welcome!

A very warm welcome goes to our new students that have joined us this term. George Burt, Bella Burt, Jaxon Halford, Tilly Hayden-Taylor, Zach Hodgkinson and Christian Jansen.

Parent/Student Conferences Feedback

We would love to know how you found the recent Parent/Student Conferences. Please go to the home page on our website to complete the short survey.

www.papamoacollege.school.nz

DID YOU KNOW...

You can receive this newsletter via email? If you wish to do this, simply go to our website, click on 'News and Events' tab, then newsletter and fill in the subscription form.

www.papamoacollege.school.nz



Man up the Hill Whanau Challenge

In week ten of term two and week one of term three we held our Inaugural Man Up The Hill Whanau Challenge.

Our Year 9 and 10 boys braved the elements, showed awesome teamwork and amazing individual perseverance to race up and down Papamoa Hills. The students completed physical and mental challenges along the way.

These boys did our school, their whanau and themselves proud and have set the bar high for the next years to come.

Mrs Nadine Shine



Year 9 Results		Year 10 Results		Whanau	Points
Kaha 2	136	Ngatahi Dungeon Masters	200	Rawe	475 = 40points
Rawe 1	126	Rawe Fighters	156	Ngatahi	455 = 30points
Ngatahi		Wawata Team Awesome	115	Kaha	363 = 20 points
Wawata 1	89	Kaha Happy Go Lucky	84	Wawata	282 = 10 points
Kaha 2	77	Rawe Autobots	67	<i>Well done to Rawe who have won the Inaugural Man up the Hill Challenge!</i>	
Wawata	28	Kaha Optimus Maximus	66		
<i>Overall Winning Team – Ngatahi Dungeon Masters</i>					

Sports Achievers

The Western Bay of Plenty Football Federation Talent Centre is a programme where some of the best football coaches scout out and train the best football players in the region. The players that get selected for this training squad are required to make a huge commitment as they are continually re-trialed and must train up to 3 times a week throughout winter and summer months.

We want to recognise and congratulate the following students who have been selected for the training squad: Flynn Grey, James Cornelius, Lewis Reid, Dylan White and James Oliver. Well done boys what a fantastic achievement.

Look out for the Sports Talk Newsletter that will feature more sporting achievements.



Puke Learning Commons



On Thursday 14 June Puke Learning Commons went on a field trip to Rotorua and the surrounding area.

The purpose of this trip was to expose students to the Rotorua region, which was the focus of their inquiry of the Pink and White Terraces and the study of volcanic activity.

The students visited the Waimangu Village and the Te Wairoa (Buried Village).

Puke Learning Commons



Student Achievement

Last term I was entered in the YIA (Young Innovators Awards), it started with my idea that I came up with for my Innovation Inquiry in term 3.

I created a device that catches a ski poma and holds it still long enough for the user to get control and get on. I made 3D Google sketch model of my final design, and created a few different prototypes of the turn style with the help of Mr Thomas in my Technology Class.

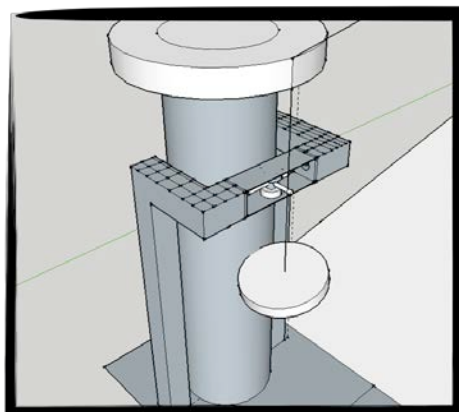
Through the first week of the holidays I created my display board for the YIA judging. I then added all of my information and pictures and took it down to Priority 1 for judging, and waited to find out.

About a week later I got a call from Priority 1 saying I got into the top nineteen innovators and that I had to go down to the TECT Arena for the prize giving.

We had arrived at the prize giving and I got to see everyone else's innovations and we had to cast a vote for the people's choice awards.

Then came the prize giving, they had important speakers and then they announced the top ten, that's where I was placed! The winner was Aidan Winch from Mt College.

James Oliver
10MOA2



Student Achievement

During the term 2 holidays, Loredana Kint 78MAU2 participated in the Tauranga Competitions Society event. She entered the competition for both Speech and Drama and Piano.

She achieved exceptionally well in both sections gaining 1st Place in both the Poetry Recital and the Baroque Piano Categories. 2nd Place in the Piano Duets Category and Highly Commended in Piano Own Selection.

We are very proud of her achievements and congratulate her on her dedication and talent in the Arts.

Can you help?

The college Knitting Club is gratefully accepting any donations of spare wool. This is being collected at the college Reception.



Poetry in Motion

As part of the school wide theme of 'Poetry in Motion' 7TAT1 visited the Adrenalin Park Rope Course on Friday 20 July.

The aim was for students to accept challenges, learn new skills and strategies and extend their abilities to movement-related activities.

They had a great day and the students certainly pushed themselves to new limits.

7 Tatahi 1



Board of Trustees

We have had a busy start to the term with the arrival of ERO on day 2. Thank you to those students and whanau who attended the welcome powhiri. Thank you also to the parents who came to the parent meeting held at the end of the first week. I have enjoyed sharing with ERO the many achievements of the school over the last 18 months and will look forward to receiving their report in the near future.

During the holidays Darren Bennett, David Broomhead and myself attended the School Trustee Association's Annual Conference. The theme of the conference was "Committed to Raising Student Achievement". Keynote speakers included Nigel Latta, Judge Andrew Becroft, Cheryle Randall and Dr Roger Slee. We had a choice of 22 seminars all relating to raising student achievement.

Attending this year's conference reinforced for me that running a school – or governing one – is a team effort. At Papamoa College we have a very strong and committed team starting with the Board and moving through to our senior leadership team, our teachers and support staff. We are working as a team with the end goal of ensuring your child leaves our gates happy and fulfilled and ready to take their place in the world beyond school.

All students, staff and visitors to the school have the right to enjoy a safe and healthy school environment. Papamoa College is both a smoke-free and drug-free school and prohibits the use of cigarettes, illegal drugs and alcohol on campus.

It is reassuring to know that management have a strong focus on drug and alcohol education through the health curriculum and citizenship programme.

Recently the Life Education Trust has worked with our Year 7 and 8 students and will be returning to work with our Year 9's and 10's later in the year. I had the privilege of listening to Pat Buckley from Amped4Life when he talked to our Year 9 and 10 students about choices and how they can affect not only themselves but also those around them.

He talked about the negative effects of drugs, alcohol and other substances and has offered to work with students where this may be an issue. The school Guidance Counsellor and Nurse are available to provide support and advice if you think this may be an issue for you and/or your student. Confidential appointments can be made through your child's wave login or via the Student Reception.

Angela Hayden
Board Chair

151 Doncaster Drive
PO Box 11 150 Papamoa 3151

T. 07 542 0676
F. 07 542 9069

www.papamoacollege.school.nz

Inspired Learning. Exciting Futures.

